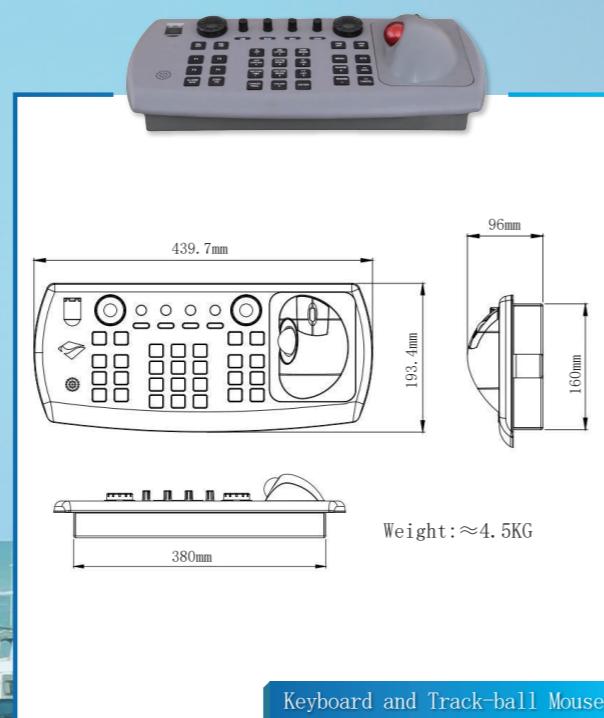
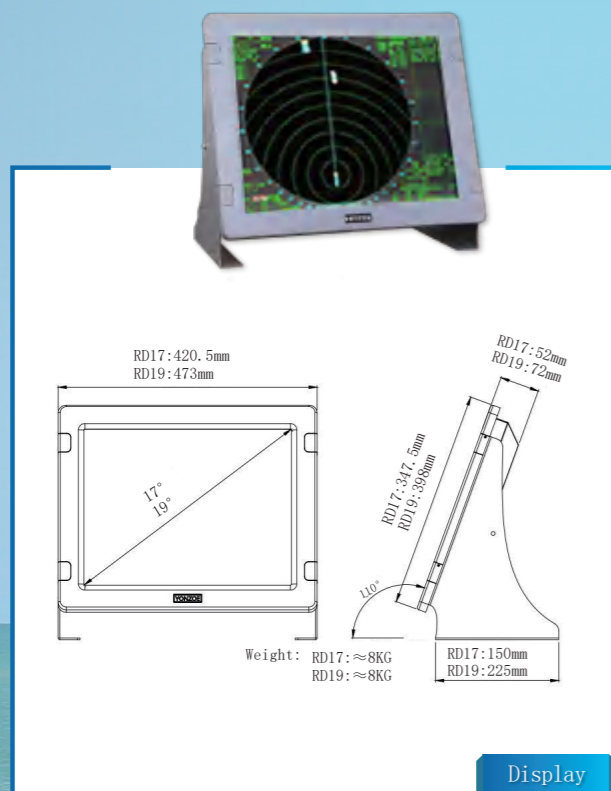
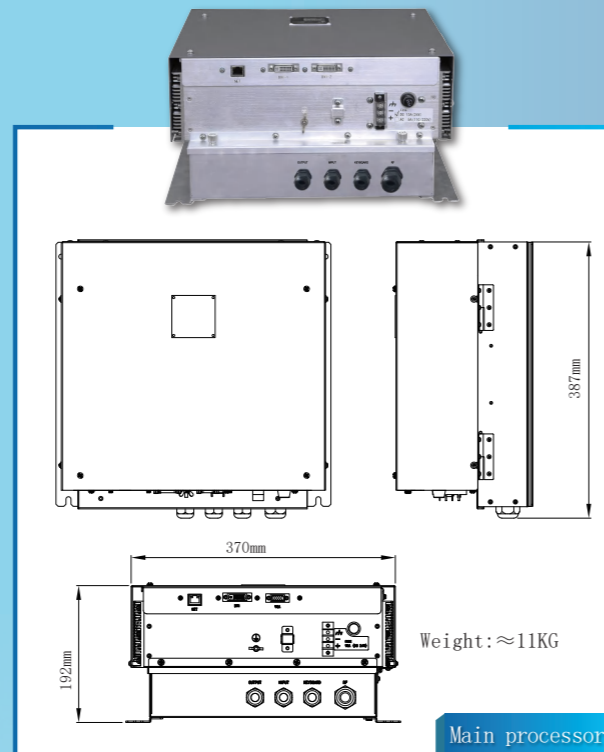
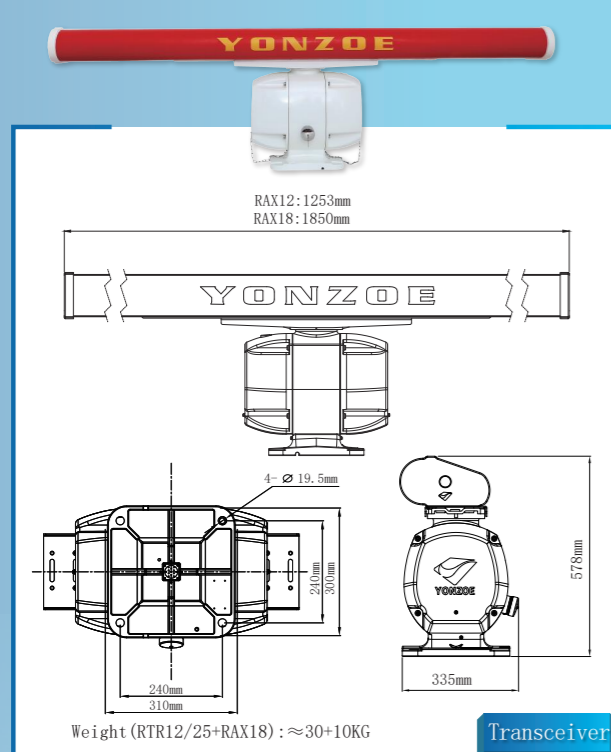


2 The YAR15 SERIES MARINE RADAR



Features

- Higher cost-effective, real worth to use.
- Advanced noise and clutter suppression technology, good ability to detect small targets.
- Good performance in wave and rain suppression.
- Relative and true trail functions, easy to find moving targets.
- Up to 80 ARPA targets, and 1000 AIS targets.
- Nav-line function.
- Bilingual between Chinese and English.
- Optional built-in radar performance monitor (PM).

SPECIFICATIONS

• Antenna & Scanner Unit

| Name | Parameters | | |
|----------------------------|---|--------|--------|
| Range | 0.125~72NM | | |
| Minimum range | 25m | | |
| Range resolution | 25m | | |
| Range accuracy | 1% of range, or 30m, which is greater | | |
| Azimuth accuracy | \pm 1° | | |
| Azimuth discrimination | 2.1° (1.2m antenna) or 1.6° (1.8m antenna) | | |
| Antenna Type | Slotted waveguide array | | |
| Antenna rotation | 24RPM | | |
| Wind resistant | 100kn Relative velocity | | |
| Antenna | Type1 | RAX12B | RAX18B |
| | length | 120cm | 180cm |
| | Beam-width(H) | 1.85° | 1.35° |
| | Beam-width(V) | 22° | 22° |
| | Sidelobe within \pm 10° | -24db | -28db |
| Sidelobe outside \pm 10° | -30db | -32db | |
| Frequency | 9410 \pm 30MHz (X-band) | | |
| Transmitter power | Type | RTR12B | RTR25B |
| | Power | 12.5kW | 25kW |
| Modulation | FET switching mode | | |
| IF | 60MHz | | |
| Band width | 30MHz (0.08 μ s, 0.15 μ s), 10MHz (0.5 μ s), 3MHz (1.0 μ s) | | |
| NF | < 6.0dB | | |
| Frequency | 9410 \pm 30MHz (X-band) | | |
| Power | | | |
| Nominal voltage | 24VDC | | |
| Supply voltage range | 18.0VDC~36.0VDC | | |
| Nominal current | 10A | | |

• Display & Processor Unit

| Name | Parameters | |
|--------------------------------|--|--------------------|
| Display size | RD17B | RD19B |
| | 17" | 19" |
| Effective radar diameter | 260mm | 290mm |
| Resolution | 1280 \times 1024 | 1280 \times 1024 |
| Radar image color | yellow, green, white, or Multi-color, in 32 levels gray. | |
| Language | Chinese/English selectable. | |
| Display mode | Heading up | |
| | Heading up true bearing | |
| | North up | |
| | North up true motion | |
| | Course up | |
| Relative and true trail | 15s-5min selectable, can be switched off | |
| ARPA Qty | Automatic or manual acquisition up to 80 targets, 0.1NM~24NM | |
| AIS Qty | Up to 1000 targets | |
| IT Target tracking data format | IEC61162-1 Ed.2 | |
| VDR Interface | VGA | |
| Display interface | DVI | |
| Navigation device interface | AIS, compass, Navigator, log | |

* RPM-X is optional